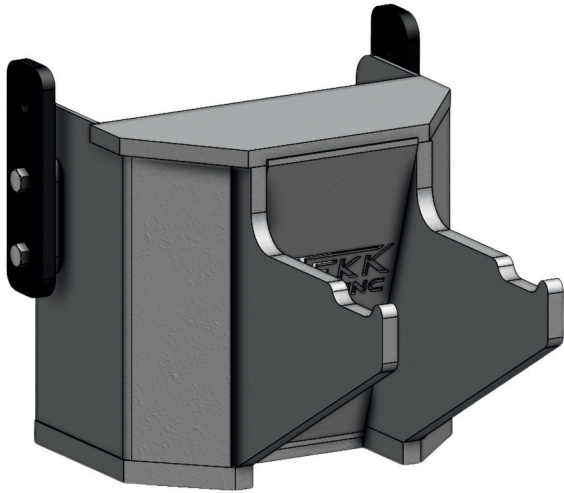


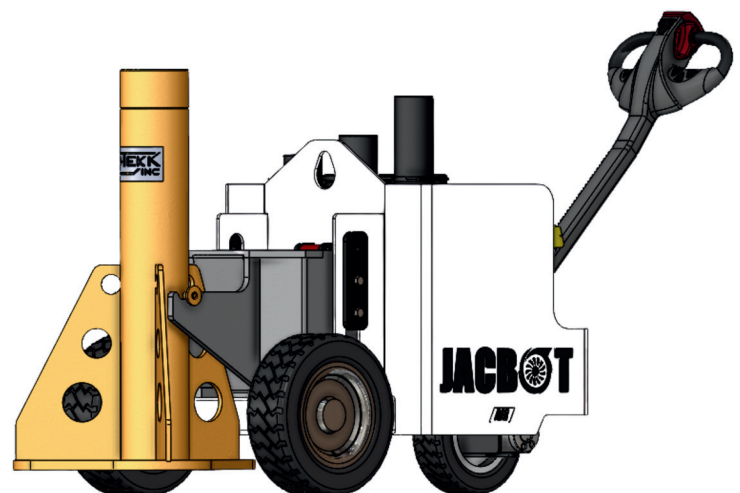
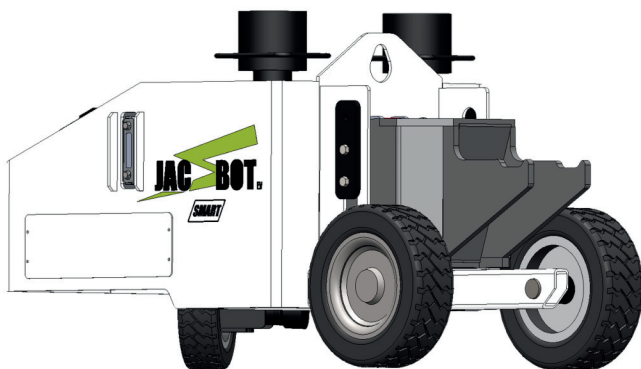
D-Tekk INC's JAC·BOT Safety Stand Shuttle is a practical solution designed to assist with manipulating D-TEKK INC's heavy duty JAC·STAND with ease. This attachment is compatible with JAC BOT models JB-R (Relay), JB-S (Smart), and JB-A (Air).



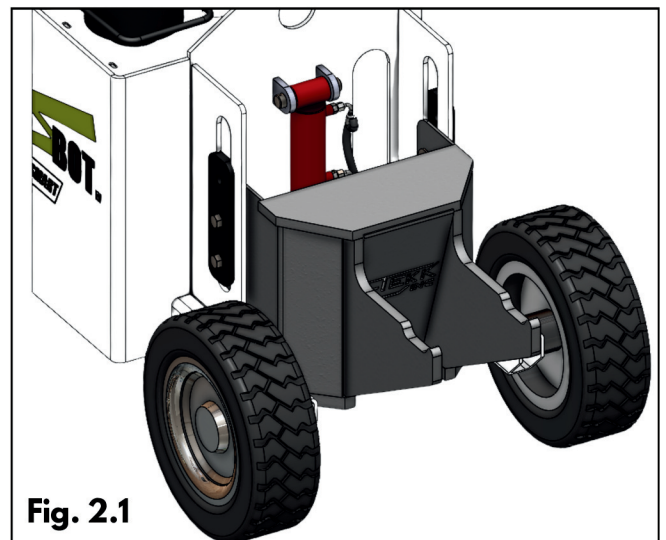
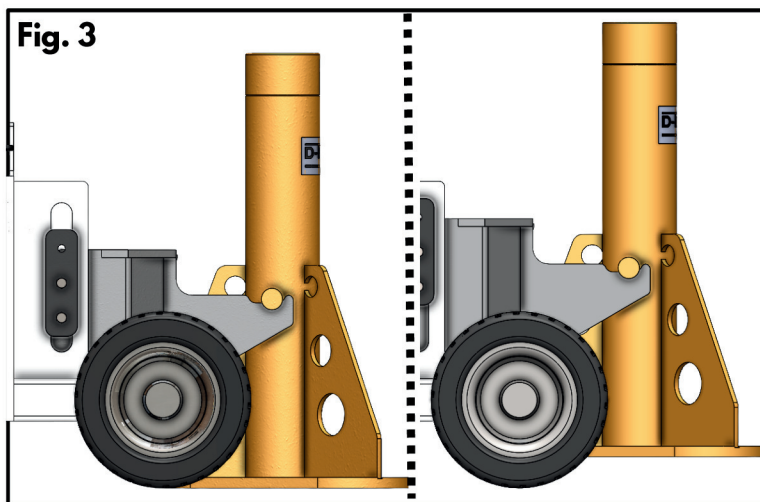
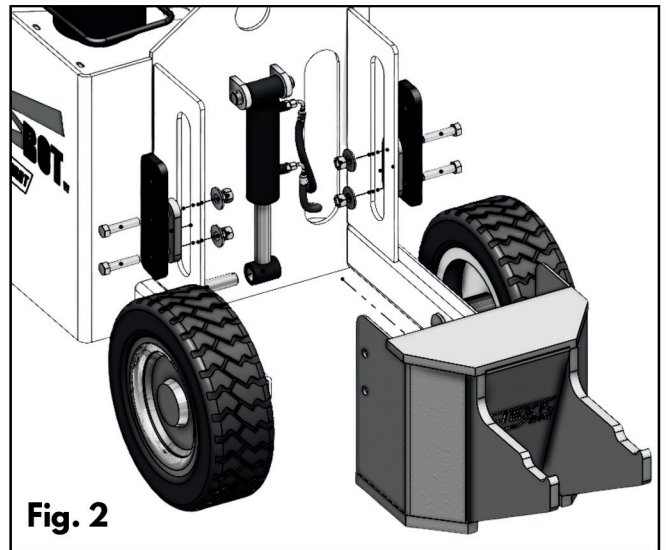
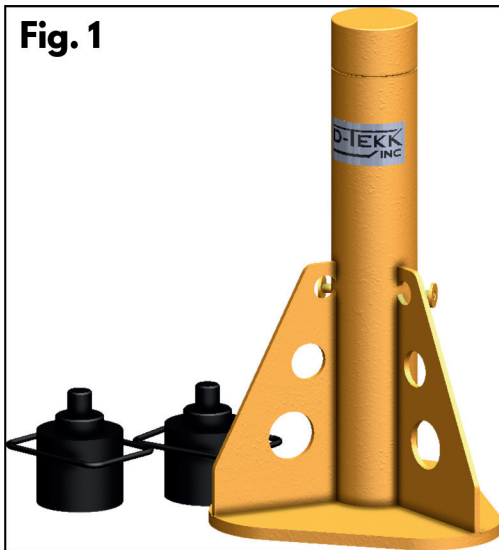
Specifications

■ Safety Stand Shuttle

- Rigid steel design
- For use with D-TEKK INC's JAC·STAND (see Fig. 1)
- Easy installation (see Fig. 2 and Fig. 2.1)

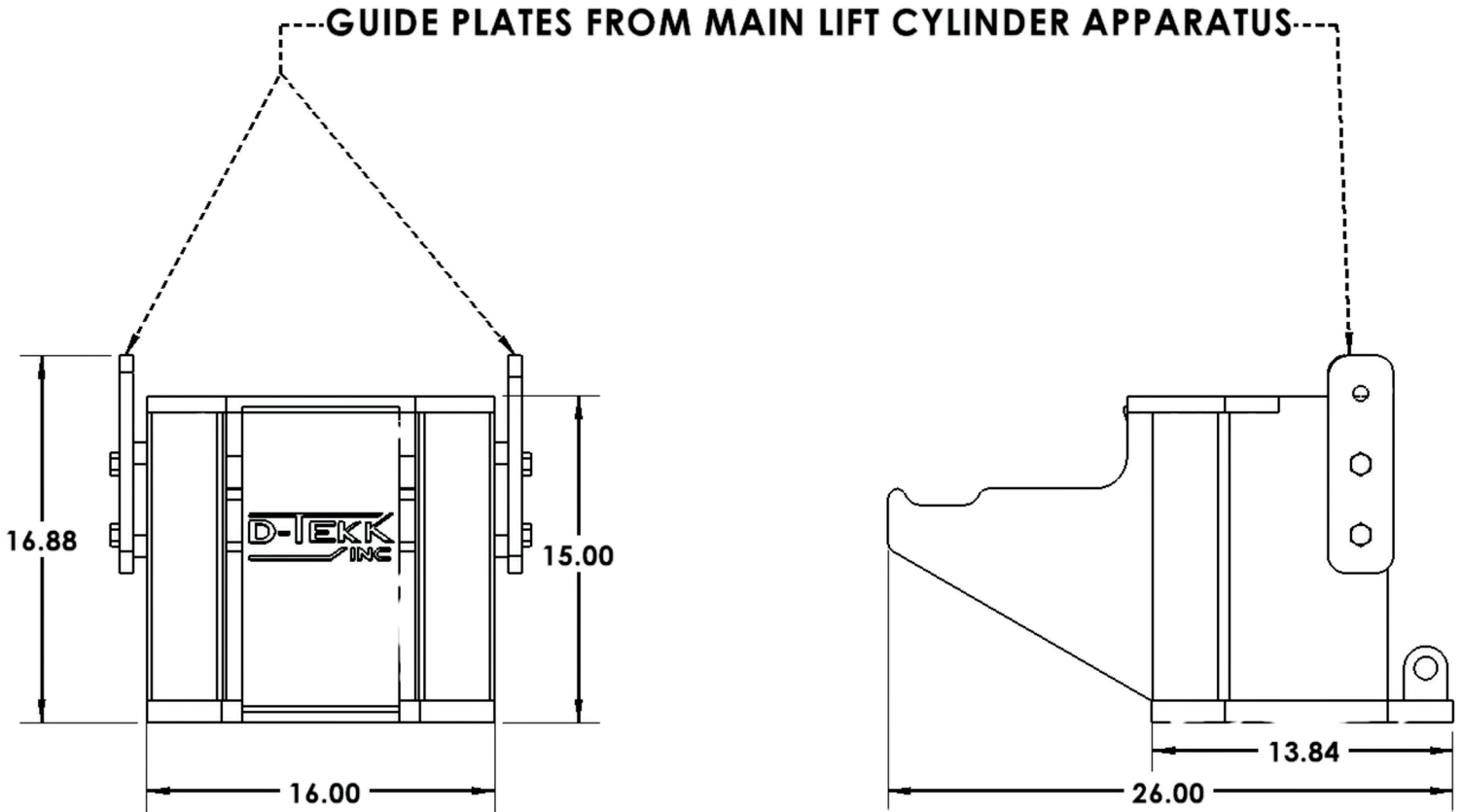


D-TEKK INC's JAC·STAND (Fig. 1) is designed to for transport via the Safety Stand Shuttle attachment (Fig. 3). Simplistic installation of the Safety Stand Shuttle attachment represented in Fig.2 and Fig 2.1.



Safety Stand Shuttle

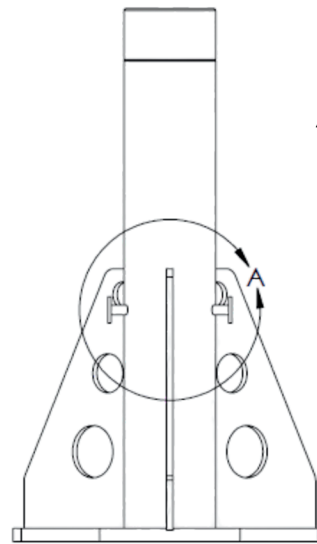
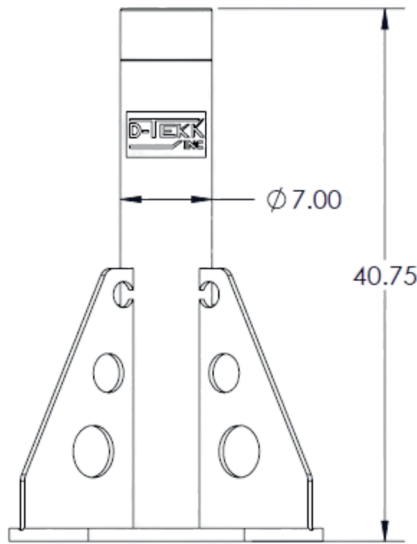
GENERAL DIMENSIONS



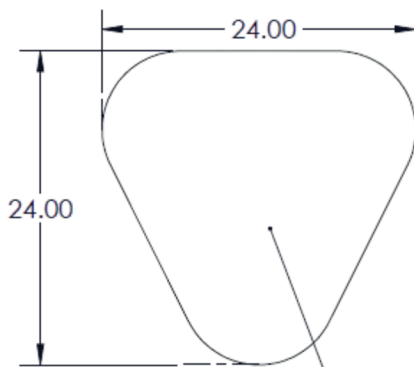
Disclaimer: Product details, illustrations, and specifications are subject to change without prior notice. While every effort has been made to ensure accuracy, we cannot guarantee that all information is current or complete. Images may depict optional features or configurations not included as standard. D-TEKK INC. reserves the right to modify designs, materials, and features. Please confirm all details with your sales representative before purchasing. 2026 D-TEKK INC.. All rights reserved. The products and materials featured in this brochure are protected by intellectual property rights owned by D-TEKK INC. Unauthorized use, copying, or reproduction is prohibited.

JAC·STAND

GENERAL DIMENSIONS



ADAPTERS AVAILABLE UPON
REQUEST



STAND BASEPLATE FOOTPRINT



DETAIL A
SCALE 1 : 5

SUPPORT STAND LIFTING LUGS

Disclaimer: Product details, illustrations, and specifications are subject to change without prior notice. While every effort has been made to ensure accuracy, we cannot guarantee that all information is current or complete. Images may depict optional features or configurations not included as standard. D-TEKK INC. reserves the right to modify designs, materials, and features. Please confirm all details with your sales representative before purchasing. 2026 D-TEKK INC.. All rights reserved. The products and materials featured in this brochure are protected by intellectual property rights owned by D-TEKK INC. Unauthorized use, copying, or reproduction is prohibited.